

Rack-It Instructions: KTM 2011 SX/SXF*2012 ALL 125-500 (PMB-01-3209)

Thank you for your purchase! We do appreciate your business!

Please check out our other exceptional products, such as Steering Stabilizers, Kickstands, Spark Arrestors, Footpegs, Disc Guards, Hand Guard Systems and Chain Saw Carriers on our website at:

www.promotobillet.com

Electronic versions of these instructions and cut templates are available on our website "Technical" tab.

1. This installation requires cutting the fender and air box/number plate.

If you do not feel that you can safely cut the required plastic parts, have your dealer install the rack for you.

Cut templates are included as a reference but addition trimming may be required to achieve a perfect fit.

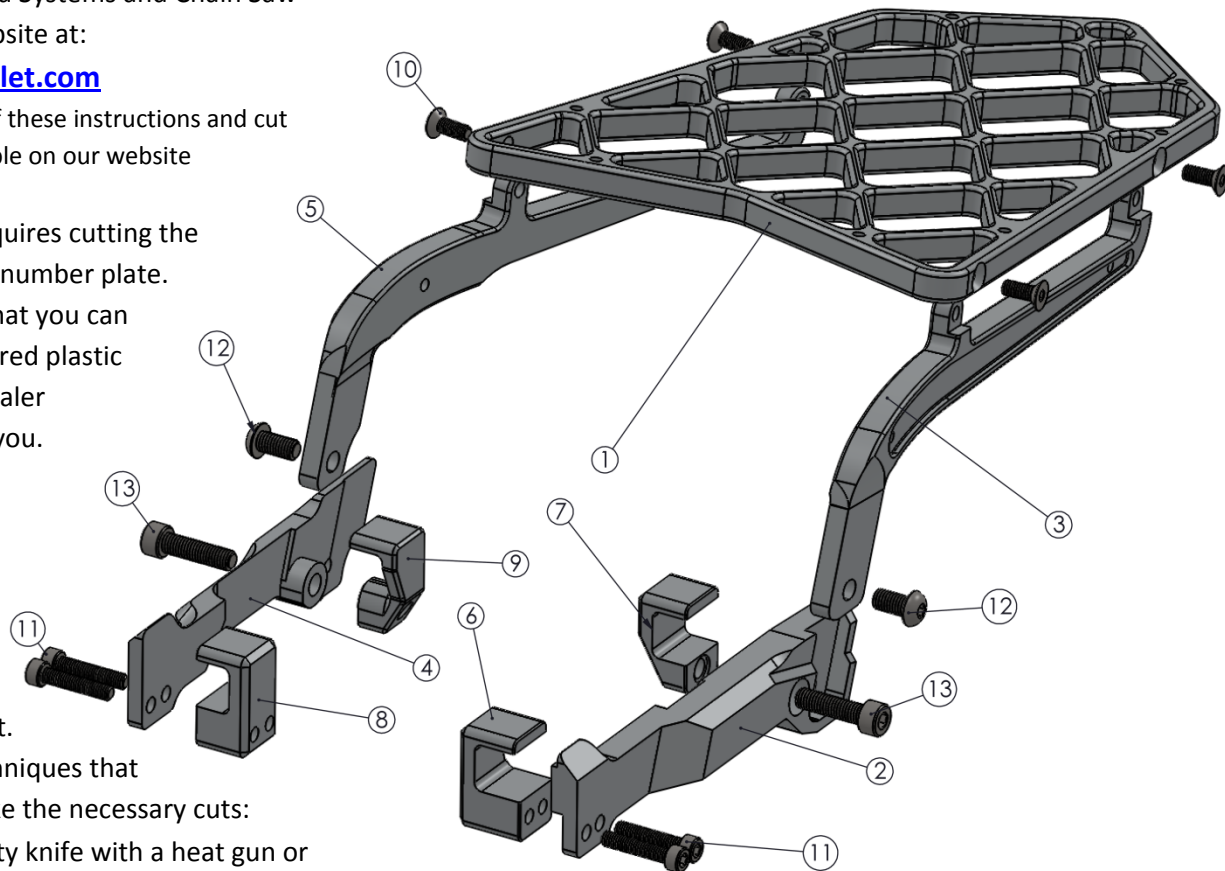
Here are a few techniques that can be used to make the necessary cuts:

- Heat a utility knife with a heat gun or propane torch and cut the plastic with the hot knife.
- Drill a hole or a series of holes in the plastic and then use a knife to trim out the remaining material
- Use a rotary tool with a high speed cutting insert.

2. We recommend using a removable thread locking agent on all bolts in this installation.
3. Remove the seat by removing the bolt under the rear fender (Picture 1).
4. Remove the bolts that secure the muffler, and then remove the muffler (Picture 2).
5. Remove the air box covers on the left and right side.
6. Remove the rear fender. There are 5 bolts to remove.
7. Remove the two screws securing the back of battery box. This will enable you to shift the battery box out of the way for the next step.
8. Install bracket A (Item 6) on the left side of the sub frame rail and bracket C (Item 8) on the right side sub frame rail. (Picture 3)

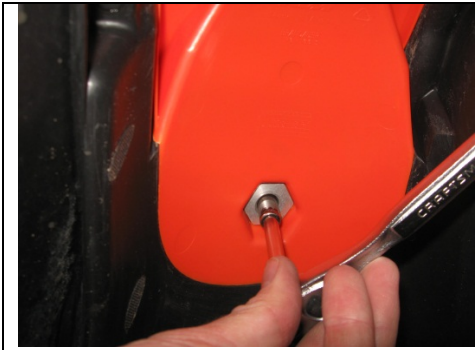
9. Carefully cut out the paper "Template A". Align the edges of the "Template A" with the contour or edges of the right side number plate as shown in (Picture 4) and tape the template in place. Using a sharp knife, mark the cutout lines into the plastic and the center lines of the hole. Remove the paper template.

- a. Using a tool of your choice, carefully remove the lip of plastic labeled "Cut Fender Away Here".



ITEM NO.	PART NUMBER	DESCRIPTION	QTY.
1	01-3209-TOP_revA	Rack Top	1
2	01-3209-ARM_A_revX5	Arm A	1
3	01-3209-ARM_B_revX6	Arm B	1
4	01-3209-ARM_C_revX5	Arm C	1
5	01-3209-ARM_D_revX6	Arm D	1
6	01-3209-BRKT_A_revX2	Bracket A	1
7	01-3209-BRKT_B_revX2	Bracket B	1
8	01-3209-BRKT_C_revX1	Bracket C	1
9	01-3209-BRKT_D_revX2	Bracket D	1
10	70-3616	BOLT M6X16 FLAT S/S	4
11	70-2630	BOLT M6X30 SOCKET S/S	4
12	70-1816	BOLT M8X16 BUTTON S/S	2
13	70-2830	BOLT M8X30 SOCKET S/S	2

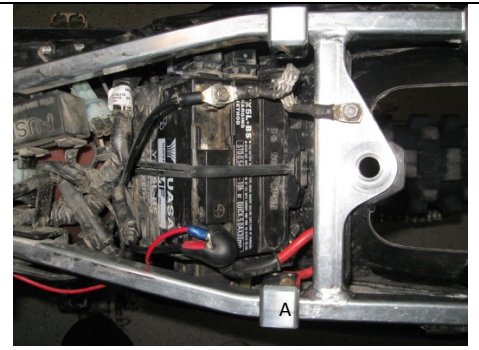
- b. Cut or drill a hole at the location shown. Make sure to go all of the way through both layers of plastic.
 - c. Trim away the first layer of plastic marked "Trim away first layer only, after drilling hole".
10. Carefully cut out the paper "Template B" and "Template C". Align the edges of the "Template B" and "Template C" with the contour or edges of the left side number plate as shown in (Picture 5) and tape the templates in place. Using a sharp knife, mark the cutout lines and the center lines of the hole into the plastic. Remove the paper template
 - a. Cut or drill a hole at the hole location marked "Template B".
 - b. Carefully remove the lip of plastic marked by "Template C" labeled "Cut Away".
11. Install bracket B (Item 7) on the left side of the sub frame rail and bracket D (Item 9) on the right side of the sub frame rail (Picture 6). Push the air box down out of the way to position the brackets. Due to variations in the welds on the sub frame, it may be necessary to file a weld located at bracket D.
12. Install arm C (Item 4). Check that the number plate does not interfere with the arm, slight additional trimming may be required. Bracket D is a tight fit and will establish the location for arm C.
13. Attach arm A (Item 2) with the bolts finger tight. Arm A should be placed 1/8" in front of Arm C for proper rack alignment. This can be set by placing a straight edge across brackets A&C and use the back of a 1/8" drill bit to set the spacing (Picture 6). Tighten arm A.
14. Replace and tighten the two bolts securing the battery box.
15. Re-install the muffler and tighten the mounting bolts.
16. Carefully cut out the paper "Template D" and "Template E". Align the edges of the "Template D & E" with the contour or edges of the rear fender as shown in (Picture 7) and tape the templates in place. Using a sharp knife, mark the cutout lines into the plastic. Each template marks two cutting locations. There is One rectangular cutout for the rack arm to pass through the fender and one to mark the tab that slides into the air box covers.
17. Cut out the plastic in the two locations marked "Cut Away" on the left and right side of the fender.
18. **Models with taillights only:** Remove the tail light fender flap. Using cut "Template F" as a guide, trim off the end of the fender flap on the outermost-left side edge, see (Picture 8). Re-Install the tail light fender flap.
19. Replace the rear fender, attach only the center bolt and two bolts on the underside of the fender.
20. Slide rack arm B (Item 3) through the fender and into arm A. Slide rack arm D (Item 5) into arm C. It may be necessary to trim the fender to provide more clearance (Picture 9 & 10).
21. Loosely Install the two M8 bolts (Item 12) attaching the rack arms B & D.
22. Loosely Install rack top (Item 1) using four M6 flat head bolts (Item 10).
23. After all four bolts are loosely installed; tighten the two M8 bolts attaching the rack arms B&D. Next, tighten the four M6 flat head bolts attaching the rack top.
24. Re-install and tighten the two side bolts on the front of the rear fender.
25. Re-Install air box covers.
26. Re-Install the seat.
27. Your installation is now complete! Make sure that you periodically check the bolts for tightness.
28. Helpful Hint: When removing the rack, it may be easiest to loosen the four M6 flat head bolts that attach the rack top to the rack sides, then remove the two M8 bolts holding the rack arms to the mounting brackets. This will relieve any pressure and allow the rack to be removed with ease. There is no need to remove any of the mounting brackets that are attached to the sub frame.



Picture 1



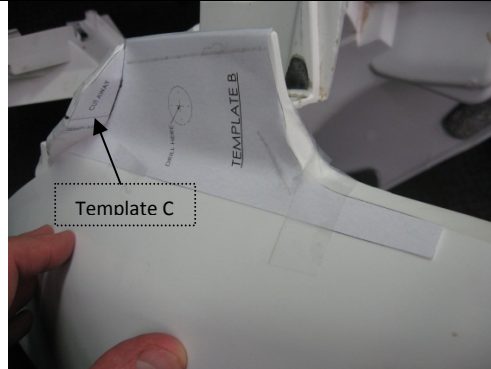
Picture 2



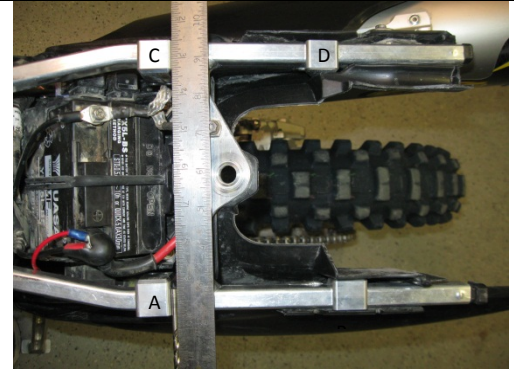
Picture 3



Picture 4 (Note: 2012 model air box is shown)



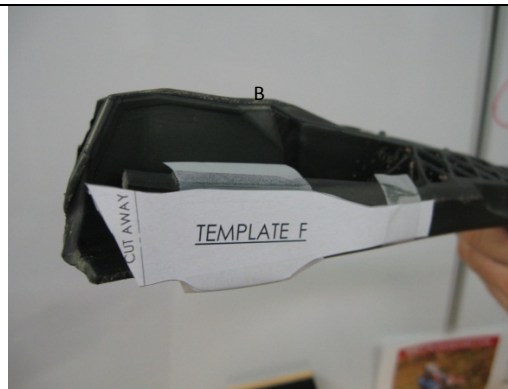
Picture 5 (Note: 2012 model air box is shown)



Picture 6



Picture 7



Picture 8



Picture 9



Picture 10



Picture 11